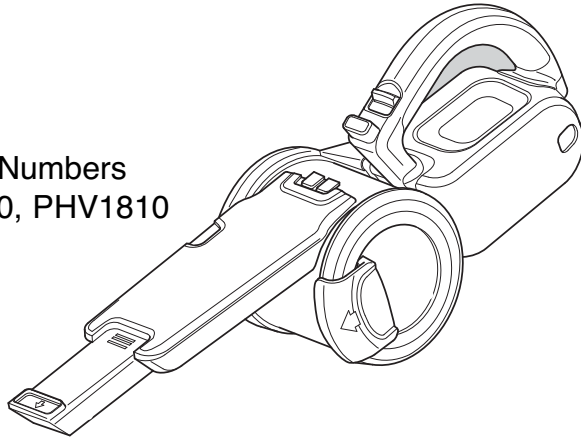




## Cordless Hand Vac

# INSTRUCTION MANUAL

Catalog Numbers  
PHV1210, PHV1810



**Thank you for choosing Black & Decker!  
Go to [www.BlackandDecker.com/NewOwner](http://www.BlackandDecker.com/NewOwner)  
to register your new product.**

### **PLEASE READ BEFORE RETURNING THIS PRODUCT FOR ANY REASON:**

If you have a question or experience a problem with your Black & Decker purchase, go to  
**[HTTP://WWW.BLACKANDDECKER.COM/INSTANTANSWERS](http://www.blackanddecker.com/instantanswers)**

for instant answers 24 hours a day.

If you can't find the answer or do not have access to the internet,  
call 1-800-544-6986 from 8 a.m. to 5 p.m. EST Mon. -- Fri. to speak with an agent.

Please have the catalog number available when you call.

**To purchase a replacement filter  
call 1-888-678-7278.**

**SAVE THIS MANUAL FOR FUTURE REFERENCE.  
FOR HOUSEHOLD USE ONLY.**

VEA EL ESPAÑOL EN LA CONTRAPORTADA.

INSTRUCTIVO DE OPERACIÓN, CENTROS DE SERVICIO Y PÓLIZA DE GARANTÍA.  
**ADVERTENCIA:** LEÁSE ESTE INSTRUCTIVO ANTES DE USAR EL PRODUCTO.

# IMPORTANT SAFEGUARDS

When using electrical appliances, basic safety precautions should always be followed, including the following:

**PLEASE READ AND UNDERSTAND ALL INSTRUCTIONS BEFORE USING THE UNIT.**

### SAFETY GUIDELINES - DEFINITIONS

It is important for you to read and understand this manual. The information it contains relates to protecting YOUR SAFETY and PREVENTING PROBLEMS. The symbols below are used to help you recognize this information.

**⚠ DANGER:** Indicates an imminently hazardous situation which, if not avoided, will result in death or serious injury.

**⚠ WARNING:** Indicates a potentially hazardous situation which, if not avoided, could result in death or serious injury.

**⚠ CAUTION:** Indicates a potentially hazardous situation which, if not avoided, may result in minor or moderate injury.

**CAUTION:** Used without the safety alert symbol indicates potentially hazardous situation which, if not avoided, may result in property damage.

**⚠ WARNING:** Some household dust contains chemicals known to the State of California to cause cancer, birth defects or other reproductive harm such as asbestos and lead in lead based paint.

- ⚠ WARNING:** To reduce the risk of fire, electrical shock or injury:
- Close supervision is necessary when any appliance is used by or near children. Do not allow to be used as a toy.
  - Shock Hazard. To protect against risk of electrical shock, do not put unit or charging base in water or other liquid.
  - Do not use dry hand vacs to pick up liquids, toxic substances, flammable or combustible liquids such as gasoline or use in areas where they may be present.
  - Do not use wet/dry hand vacs to pick up toxic substances, flammable or combustible liquids such as gasoline or use in areas where they may be present.
  - Do not operate in the presence of explosives and/or flammable fumes or liquids.
  - Shock Hazard. Do not operate any appliance with a damaged cord or charger or after the appliance malfunctions, is left outdoors, dropped into water or is damaged in any manner. Return the appliance to any authorized service facility.
  - Do not use dry hand vacs outdoors or on wet surfaces.
  - Do not abuse the cord. Never carry the charger or base by the cord or yank to disconnect from an outlet; instead grasp the charger and pull to disconnect. Keep cord away from heated surfaces. Do not pull cord around sharp edges or corners.
  - Do not allow the cord to hang over the edge of a table or counter or touch hot surfaces. The unit should be placed or mounted away from sinks and hot surfaces.
  - Do not use an extension cord. Plug the charger directly into an electrical outlet.
  - Use the charger only in a standard electrical outlet (120V/60Hz).
  - Do not attempt to use the charger with any other product; do not attempt to charge this product with any other charger. Use only the charger supplied by the manufacturer to recharge.
  - Keep hair, loose clothing, and all parts of body away from openings and moving parts.
  - Do not insert accessories when unit is running.

- Shock Hazard. Do not handle plug or appliance with wet hands.
- Do not put any object into unit openings. Do not use with any openings blocked; keep free of dust, lint, hair, and anything that may reduce air flow.
- Fire Hazard. Do not vacuum burning or smoking materials, such as lit cigarette butts, matches or hot ashes.
- Do not use on or near hot surfaces.
- Use extra caution when cleaning on stairs.
- This appliance is intended for household use only and not for commercial or industrial use.
- Use only as described in this manual. Use only manufacturer's recommended attachments.
- Unplug the charger from outlet before any routine cleaning or maintenance.
- This product includes rechargeable nickel cadmium batteries. Do not incinerate batteries as they will explode at high temperatures.
- Leaks from battery cells can occur under extreme conditions. If the liquid, which is a 20-35% solution of potassium hydroxide, gets on the skin (1) wash quickly with soap and water or (2) neutralize with a mild acid such as lemon juice or vinegar. If the liquid gets into the eyes, flush them immediately with clean water for a minimum of 10 minutes. Seek medical attention.
- Do not look into the air vents when the unit is switched on, as sometimes there is a possibility of small debris being discharged from the air vents, especially after cleaning / replacement of the filters as debris inside the unit can be disturbed.

# SAVE THESE INSTRUCTIONS

## Symbols

- The label on your tool may include the following symbols. The symbols and their definitions are as follows:

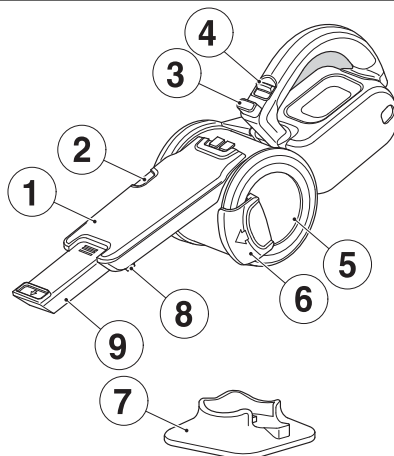
V.....volts	A .....amperes
Hz.....hertz	W.....watts
min .....minutes	~ .....alternating current
==== .....direct current	n <sub>o</sub> .....no load speed
Ⓛ .....Class I Construction (grounded)	⊕.....earthing terminal
Ⓜ .....Class II Construction (double insulated)	⚠ .....safety alert symbol
	.../min or rpm .....revolutions or reciprocation per minute

- When using an extension cord, be sure to use one heavy enough to carry the current your product will draw. An undersized cord will cause a drop in line voltage resulting in loss of power and overheating. The following table shows the correct size to use depending on cord length and nameplate ampere rating. If in doubt, use the next heavier gauge. The smaller the gauge number, the heavier the cord.

Volts	Minimum Gauge for Cord Sets			
	Total Length of Cord in Feet			
120V	0-25	26-50	51-100	101-150
	(0-7,6m)	(7,6-15,2m)	(15,2-30,4m)	(30,4-45,7m)
240V	0-50	51-100	101-200	201-300
	(0-15,2m)	(15,2-30,4m)	(30,4-60,9m)	(60,9-91,4m)
Ampere Rating				
More Than	Not more Than	American Wire Gauge		
0 - 6	18	16	16	14
6 - 10	18	16	14	12
10 - 12	16	16	14	12
12 - 16	14	12	Not Recommended	

# Product Features

- 1. Dust collector
- 2. Dust container release button
- 3. Pivot lock button
- 4. On/off switch
- 5. Container door
- 6. Container door release latch
- 7. Charging base
- 8. Flip-out brush
- 9. Dust collector extension

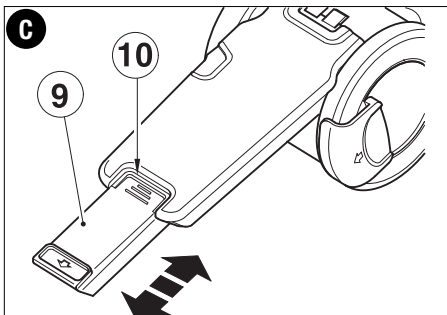
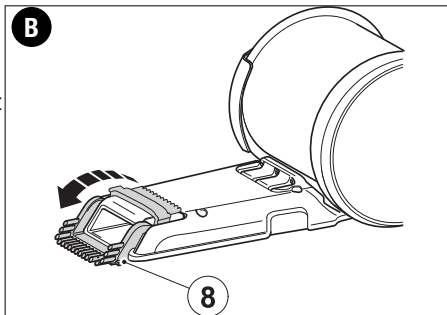
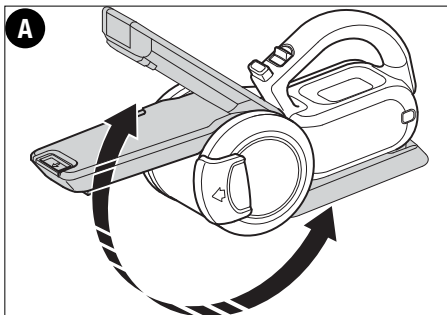


## Assembly

### Adjusting the dust collector (fig. A - C)

The dust collector (1) has a brush that can be folded forward for dusting and upholstery cleaning.

- The dust collector (1) is stored under the appliance. To adjust for use, lift the appliance from the charging base (7).
- Press the pivot lock button (3) and rotate the dust collector (1) to the required position.
- Release the pivot lock button (3) to lock the dust collector in position
- The dust collector can be extended by pulling the dust collector extension (9) until it locks into position.
- The extension can be retracted by pressing the button (10) and pushing the extension back into the dust collector.
- The dust collector should be returned to the storage position under the appliance after use and while charging the appliance.



## Use

- Before first use, the battery must be charged for at least 24 hours.
- Place the appliance on the charging base whenever it is not in use.

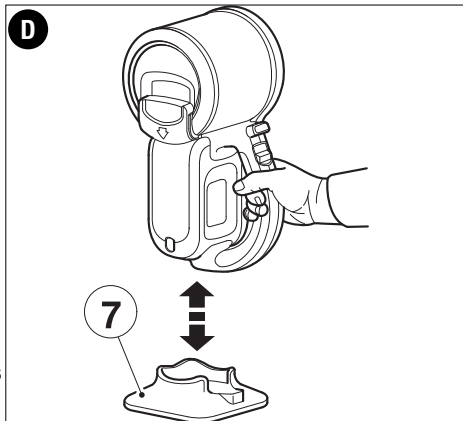
### Charging the battery (fig. D)

- Make sure that the appliance is switched off. The battery will not be charged with the on/off switch (4) in the on position.
- Place the appliance on the charging base (7) as shown.
- Plug in the charger.

The charging indicator will be lit.

- Leave the appliance on charge for at least 24 hours.

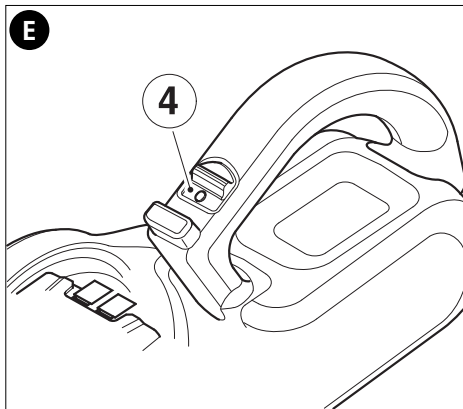
While charging, the charger may become warm. This is normal and does not indicate a problem. The appliance can be left connected to the charger indefinitely. The charging indicator will be lit as long as the appliance is connected to the plugged-in charger.



**⚠ WARNING:** Do not charge the battery at ambient temperatures below 39°F (4°C) or above 104°F (40°C).

### Switching on and off (fig. E)

- To switch the appliance on, slide the on/off switch (4) forward to position I.
- To switch the appliance off, slide the on/off switch (4) back to position 0.



### Optimizing the suction force (fig. F - I)

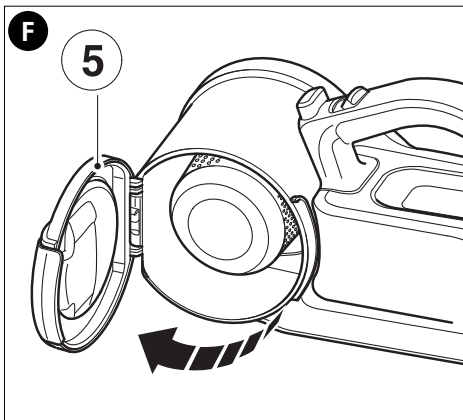
In order to keep the suction force optimized, the filters must be cleared regularly during use.

- Press the release latch (6) and open the container door (5) (fig. F).
- Empty the dust container.

### Cleaning and maintenance

Rotating the bowl (fig. A) agitates the filter to remove dirt. It is important however to empty the bowl regularly by removing the filters (fig. J).

Caution: Regularly clean the filters (12 & 13).



## Cleaning the dust container and filters (fig. G - K)

There are two methods of cleaning the bowl, a quick empty method and a thorough clean method. For the quick empty method use the following instructions.

The filters are re-usable and should be cleaned regularly.

- Press the release latch (6) and open the container door (5) (fig. F).
- Empty the dust container (11).
- Close the dust container door (5). Make sure that the release latch (6) clicks into place.

The dust container (11) is attached to the body of the appliance with a bayonet fixing.

To remove the dust container:

- Press the dust container release button (2) and rotate the dust container (11) counterclockwise and carefully slide the dust container clear of the appliance.
- Rotate the filter hook (12) to the vertical position (fig. I).

Use the filter hook (12) to rotate the filter (13) within the pre-filter (14) to agitate it and remove dirt.

- Remove the main filter (13).
- Brush any loose dust off the filter (13).

The pre-filter (14) is attached with a bayonet fixing.

To remove the pre-filter:

- Rotate the pre-filter (14) counterclockwise and carefully slide the it clear of the dust container.
- Install the pre-filter (14) into the dust container (11) rotating it clockwise until it locks into place.
- Install the main filter (13) into the pre-filter (14).
- Install the dust container (11) to the appliance, rotate it clockwise until it locks into place.

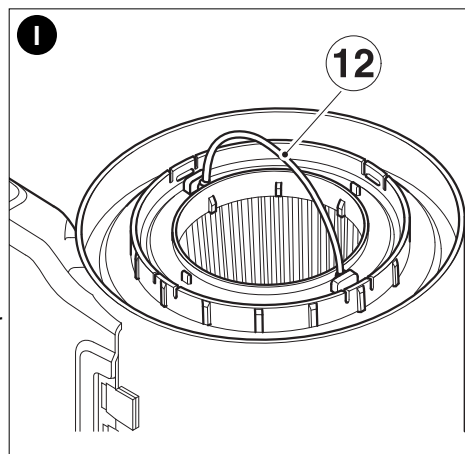
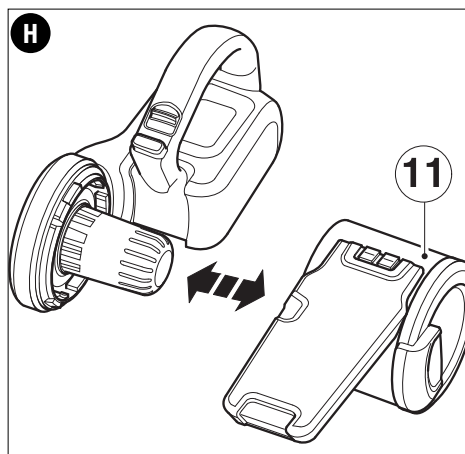
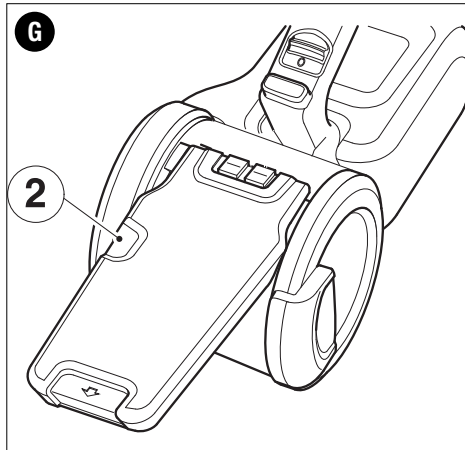
## ⚠ **WARNING:**

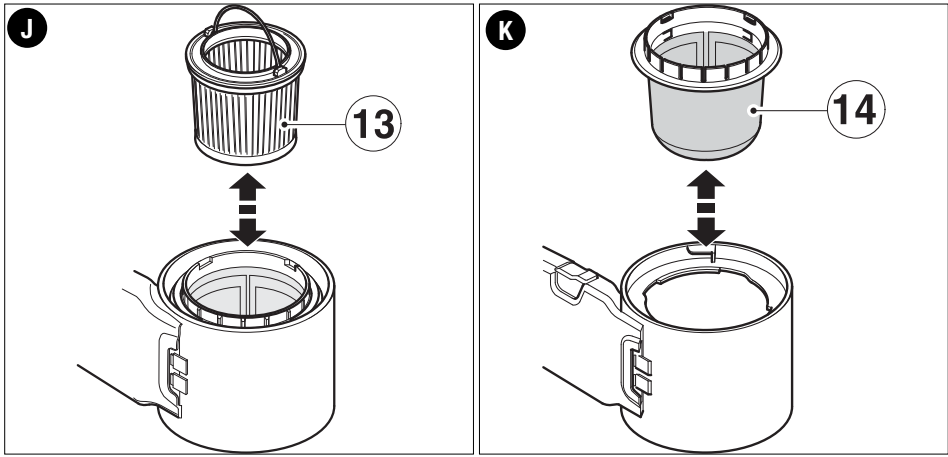
**Projectile/Respiratory Hazard:** Never use the appliance without the filters. Optimum dust collection will only be achieved with clean filters.

## Replacing the filters

The filters should be replaced every 6 to 9 months and whenever worn or damaged. Replacement filters are available from your Black & Decker dealer (cat. no. VF90):

- Remove the old filters as described above.
- Fit the new filters as described above.





**Maintenance**

Use only mild soap and damp cloth to clean the tool. Never let any liquid get inside the tool; never immerse any part of the tool into a liquid.

IMPORTANT: To assure product SAFETY and RELIABILITY, repairs, maintenance and adjustment (other than those listed in this manual) should be performed by authorized service centers or other qualified service personnel, always using identical replacement parts.

**Troubleshooting**

<u>Problem</u>	<u>Possible Cause</u>	<u>Possible Solution</u>
<ul style="list-style-type: none"> <li>• Unit will not start.</li> <li>• Battery will not charge.</li> </ul>	<ul style="list-style-type: none"> <li>• Battery not charged.</li> <li>• Charger not plugged in.</li> <li>• Surrounding air temperature too hot or too cold.</li> </ul>	<ul style="list-style-type: none"> <li>• Check battery charging requirements.</li> <li>• Plug charger into a working outlet. Refer to "Important Charging Notes" for more details.</li> <li>• Check current at receptacle by plugging in a lamp or other appliance.</li> <li>• Check to see if receptacle is connected to a light switch which turns power off when you turn out the lights.</li> <li>• Move charger and tool to a surrounding air temperature of above 40 degrees F (4.5°C) or below 105 degrees F (+40.5°C).</li> </ul>

For assistance with your product, visit our website [www.blackanddecker.com](http://www.blackanddecker.com) for the location of the service center nearest you or call the BLACK & DECKER help line at 1-800-544-6986.

**Accessories**

Recommended accessories for use with your tool are available from your local dealer or authorized service center. If you need assistance regarding accessories, please call: 1-800-544-6986.

**⚠ WARNING:** The use of any accessory not recommended for use with this tool could be hazardous.

**BATTERY REMOVAL AND DISPOSAL**

This product uses nickel-cadmium (Ni-Cd) rechargeable and recyclable batteries. When the batteries no longer hold a charge, they should be removed from the Vac and recycled. They must not be incinerated or composted. The batteries can be taken for disposal to a Black & Decker, Company-Owned or Authorized Service Center. Some local retailers are also participating in a national recycling program (see "RBRC™ Seal"). Call your local retailer for details. If you bring

the batteries to a Black & Decker Company-Owned or Authorized Service Center, the Center will arrange to recycle old batteries. Or, contact your local municipality for proper disposal instructions in your city/town.

To remove the battery pack for disposal:

- 1.) First, before attempting to disassemble the product, turn it on and leave it on until the motor completely stops insuring a complete discharge of the batteries.
- 2.) Ensure nozzle is rotated out of storage position.
- 3.) Using a phillips screwdriver, remove the seven screws securing the two housing halves.
- 4.) Lift the housing cover away from the assembly.
- 5.) Remove the single screw which secures the motor assembly. (located at bottom of unit, adjacent to the bowl.
- 6.) Lift out the motor assembly.
- 7.) Remove the three screws in the cover and lift the cover off of the assembly exposing the batteries.
- 8.) Detach motor connections and lift motor away from assembly.
- 9.) Detach all lead connections and remove batteries from battery casing.
- 10.) Dispose of batteries as per recommended guidelines.



### The RBRC™ Seal

The RBRC™ (Rechargeable Battery Recycling Corporation) Seal on the nickel-cadmium battery (or battery pack) indicates that the costs to recycle the battery (or battery pack) at the end of its useful life have already been paid by Black & Decker. In some areas, it is illegal to place spent nickel-cadmium batteries in the trash or municipal solid waste stream and the RBRC program provides an environmentally conscious alternative.

RBRC in cooperation with Black & Decker and other battery users, has established programs in the United States and Canada to facilitate the collection of spent nickel-cadmium batteries. Help protect our environment and conserve natural resources by returning the spent nickel-cadmium battery to an authorized Black & Decker service center or to your local retailer for recycling. You may also contact your local recycling center for information on where to drop off the spent battery, or call **1-800-8-BATTERY**.

### Service Information

All Black & Decker Service Centers are staffed with trained personnel to provide customers with efficient and reliable power tool service. Whether you need technical advice, repair, or genuine factory replacement parts, contact the Black & Decker location nearest you. To find your local service location, refer to the yellow page directory under "Tools—Electric" or call: **1-800-544-6986** or visit [www.blackanddecker.com](http://www.blackanddecker.com)

### Full Two-Year Home Use Warranty

Black & Decker (U.S.) Inc. warrants this product for two years against any defects in material or workmanship. The defective product will be replaced or repaired at no charge in either of two ways.

The first, which will result in exchanges only, is to return the product to the retailer from whom it was purchased (provided that the store is a participating retailer). Returns should be made within the time period of the retailer's policy for exchanges (usually 30 to 90 days after the sale). Proof of purchase may be required. Please check with the retailer for their specific return policy regarding returns that are beyond the time set for exchanges.

The second option is to take or send the product (prepaid) to a Black & Decker owned or authorized Service Center for repair or replacement at our option. Proof of purchase may be required. Black & Decker owned and authorized Service Centers are listed under "Tools-Electric" in the yellow pages of the phone directory and on our website [www.blackanddecker.com](http://www.blackanddecker.com).

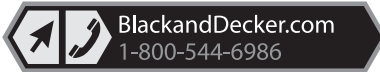


This warranty does not apply to accessories. This warranty gives you specific legal rights and you may have other rights which vary from state to state. Should you have any questions, contact the manager of your nearest Black & Decker Service Center. This product is not intended for commercial use.

**FREE WARNING LABEL REPLACEMENT:** If your warning labels become illegible or are missing, call 1-800-544-6986 for a free replacement.

**LATIN AMERICA:** This warranty does not apply to products sold in Latin America. For products sold in Latin America, check country specific warranty information contained in the packaging, call the local company or see the website for warranty information.

Imported by  
Black & Decker (U.S.)  
Inc.,  
701 E. Joppa Rd.  
Towson, MD 21286  
U.S.A.



See 'Tools-Electric'  
- Yellow Pages -  
for Service & Sales

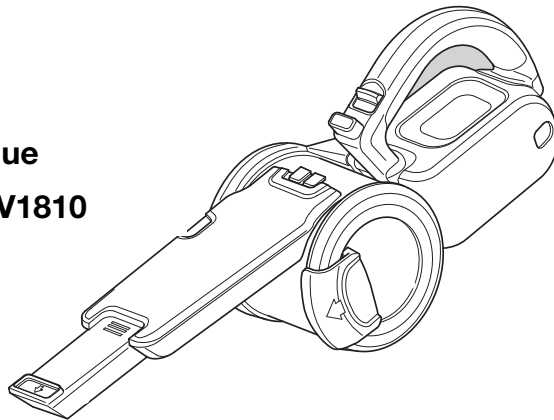




## ASPIRATEUR PORTATIF SANS FIL 18 V

# MODE D'EMPLOI

N° de catalogue  
PHV1210, PHV1810



**Merci d'avoir choisi Black & Decker!  
Consulter le site Web  
[www.BlackandDecker.com/NewOwner](http://www.BlackandDecker.com/NewOwner)  
pour enregistrer votre nouveau produit.**

**à LIRE avant de retourner ce produit  
pour quelque raison que ce soit :**

Si des questions ou des problèmes surgissent après l'achat d'un produit Black & Decker,  
consulter le site Web

**[HTTP://WWW.BLACKANDDECKER.COM/INSTANTANSWERS](http://www.blackanddecker.com/instantanswers)**

pour obtenir des réponses instantanément 24 heures par jour.

Si la réponse est introuvable ou en l'absence d'accès à Internet, composer le  
1-800-544-6986 de 8 h à 17 h HNE, du lundi au vendredi, pour parler avec un agent.

Prière d'avoir le numéro de catalogue sous la main lors de l'appel.

**Pour l'achat d'un filtre de rechange composer le  
1-888-678-7278.**

**CONSERVER CE MODE D'EMPLOI POUR UN USAGE ULTÉRIEUR.  
POUR USAGE DOMESTIQUE SEULEMENT.**



## IMPORTANTES MISES EN GARDE

Lorsqu'on utilise un appareil électrique, il faut toujours respecter certaines règles de sécurité fondamentales, notamment les suivantes.

**LIRE ET COMPRENDRE TOUTES LES DIRECTIVES AVANT D'UTILISER L'APPAREIL.**

### LIGNES DIRECTRICES EN MATIÈRE DE SÉCURITÉ - DÉFINITIONS

Il est important que vous lisiez et compreniez ce mode d'emploi. Les informations qu'il contient concernent VOTRE SÉCURITÉ et visent à ÉVITER TOUT PROBLÈME. Les symboles ci-dessous servent à vous aider à reconnaître cette information.

**⚠ DANGER :** Indique une situation dangereuse imminente qui, si elle n'est pas évitée, causera la mort ou des graves blessures.

**⚠ AVERTISSEMENT :** Indique une situation potentiellement dangereuse qui, si elle n'est pas évitée, pourrait causer la mort ou de graves blessures.

**⚠ MISE EN GARDE :** Indique une situation potentiellement dangereuse qui, si elle n'est pas évitée, pourrait causer des blessures mineures ou modérées.

**MISE EN GARDE :** Utilisé sans le symbole d'alerte à la sécurité, indique une situation potentiellement dangereuse qui, si elle n'est pas évitée, peut résulter en des dommages à la propriété.

**⚠ AVERTISSEMENT :** Certaines poussières domestiques contiennent des produits chimiques reconnus par l'État de la Californie comme étant cancérigènes et pouvant entraîner des anomalies congénitales et d'autres risques pour la reproduction tels que l'amiante et le plomb contenu dans les peintures au plomb.

**⚠ AVERTISSEMENT :** Afin de minimiser les risques d'incendie, de secousses électriques ou de blessures.

- Exercer une étroite surveillance pour l'utilisation de tout appareil électrique par des enfants ou à proximité de ceux-ci. Interdire l'utilisation de l'appareil comme jouet.
- Risque d'électrocution. Afin de se protéger contre les risques de choc électrique, ne pas immerger l'appareil ni la base de charge dans quelque liquide que ce soit.
- Ne pas se servir d'un aspirateur portatif destiné à des déchets secs pour aspirer des liquides, des substances toxiques, des liquides inflammables ou combustibles comme de l'essence, ni s'en servir dans un endroit renfermant de tels produits.
- Ne pas se servir d'un aspirateur portatif destiné à des déchets secs ou humides pour aspirer des substances toxiques, des liquides inflammables ou combustibles comme de l'essence, ni s'en servir dans un endroit renfermant de tels produits.
- Ne pas utiliser l'appareil en présence de vapeurs ou de liquides explosifs ou inflammables.
- Risque d'électrocution. Ne pas utiliser d'appareil présentant un chargeur ou un cordon endommagé, en mauvais état de fonctionnement, ou ayant été laissé à l'extérieur, immergé dans de l'eau ou endommagé de quelque façon que ce soit. Retourner l'appareil dans un centre de réparation autorisé.
- Ne pas utiliser un aspirateur portatif destiné à des déchets secs à l'extérieur ni sur des surfaces mouillées.
- Ne pas utiliser abusivement le cordon d'alimentation. Ne jamais transporter le chargeur ou la base en les tenant par le cordon, ni tirer dessus pour les débrancher; tenir le chargeur et tirer sur la fiche pour le débrancher. Tenir le cordon éloigné des surfaces chauffées. Ne pas faire passer le cordon sur des arêtes ou des angles vifs.
- Ne pas laisser le cordon pendre sur le bord d'une table ou d'un comptoir, ni toucher des surfaces chaudes. L'appareil doit être placé ou fixé loin de tout évier et de toute surface chaude.
- Ne pas utiliser de rallonge. Brancher le chargeur directement dans une prise électrique.
- Brancher le chargeur seulement dans une prise électrique standard (120 V, 60 Hz).
- Ne pas utiliser le chargeur avec un autre produit, ni tenter de charger l'appareil avec un autre chargeur. Utiliser uniquement le chargeur fourni par le fabricant.
- Tenir les cheveux, les vêtements amples et toutes les parties du corps à l'écart des ouvertures et des pièces mobiles.

- Ne pas installer d'accessoires pendant le fonctionnement de l'appareil.
- Risque d'électrocution. Ne pas manipuler la fiche ni l'appareil avec les mains mouillées.
- Ne pas insérer d'objet dans les ouvertures de l'appareil. Ne pas utiliser l'appareil si ses ouvertures sont bouchées; les tenir exemptes de poussière, de peluche, de cheveux et de toute chose pouvant réduire la circulation d'air.
- Risque d'incendie. Ne pas passer l'aspirateur sur des matières qui brûlent ou fument comme des mégots de cigarette, des allumettes ou des cendres chaudes.
- Ne pas utiliser l'appareil sur des surfaces chaudes ni près de celles-ci.
- Être très prudent pour nettoyer les escaliers.
- L'appareil électrique est conçu pour une utilisation domestique seulement et non commerciale ou industrielle.
- Utiliser l'appareil uniquement selon les indications données dans le présent manuel. Utiliser uniquement les accessoires recommandés par le fabricant.
- Débrancher le chargeur avant tout nettoyage ou entretien de routine.
- Ce produit contient des piles rechargeables au nickel-cadmium. Ne pas incinérer les piles car la chaleur des flammes les fera exploser.
- Les cellules des piles peuvent fuir dans des conditions extrêmes. Si le liquide, qui est constitué d'une solution de 20 à 35 % d'hydroxyde de potassium entre en contact avec la peau : (1) se laver rapidement avec de l'eau et du savon ou (2) neutraliser le produit avec un acide doux comme du jus de citron ou du vinaigre. Si le liquide atteint les yeux, les rincer immédiatement à l'eau claire pendant au moins 10 minutes. Consulter un médecin.
- Ne pas regarder dans les événements lorsque l'appareil est en marche, car il arrive parfois que de petits débris s'en échappent, surtout après un nettoyage ou un remplacement de filtre qui aurait tendance à les libérer.

## CONSERVER CES DIRECTIVES

### Symboles

- L'étiquette apposée sur votre outil pourrait comprendre les symboles suivants. Les symboles et leurs définitions sont indiqués ci-après :

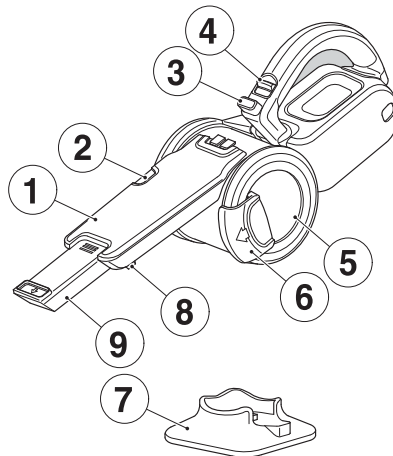
$V$ .....	volts	$A$ .....	ampères
$Hz$ .....	hertz	$W$ .....	watts
$min$ .....	minutes	$\sim$ .....	courant alternatif
$\text{---}$ .....	courant continue	$non$ .....	régime à vide
$\text{Ⓜ}$ .....	Construction de classe I (mis à la terre)	$\text{Ⓜ}$ .....	borne de terre
$\text{Ⓜ}$ .....	Construction classe II	$\text{Ⓜ}$ .....	borne de terre
$\text{⚠}$ .....	symbole d'alerte à la sécurité	$\text{rpm}$ .....	révolutions ou alternance par minute

- En cas d'utilisation d'une rallonge, s'assurer que les valeurs nominales de la rallonge utilisée correspondent bien à celles de l'outil alimenté. L'usage d'une rallonge de calibre insuffisant causera une chute de tension entraînant perte de puissance et surchauffe. Le tableau ci-dessous illustre les calibres à utiliser selon la longueur de rallonge et l'intensité nominale indiquée sur la plaque signalétique. En cas de doutes, utiliser le calibre suivant. Plus le calibre est petit, plus la rallonge peut supporter de courant.

Calibre minimal des cordons de rallonge					
Tension	Longueur totale du cordon en pieds				
120V	0-25	26-50	51-100	101-150	
	(0-7,6m)	(7,6-15,2m)	(15,2-30,4m)	(30,4-45,7m)	
240V	0-50	51-100	101-200	201-300	
	(0-15,2m)	(15,2-30,4m)	(30,4-60,9m)	(60,9-91,4m)	
Intensité (A)					
Au moins	Au plus	Calibre moyen des fils (AWG)			
0	6	18	16	16	14
6	10	18	16	14	12
10	12	16	16	14	12
12	16	14	12	Non recommandé	

## CARACTÉRISTIQUES DU PRODUIT

1. Dépoussiéreur
2. Bouton de dégagement du collecteur de poussière
3. Bouton de déblocage de pivot
4. Interrupteur marche/arrêt
5. Trappe du collecteur
6. Loquet d'ouverture de la trappe du collecteur
7. Base de charge
8. Brosse escamotable
9. Rallonge du dépoussiéreur

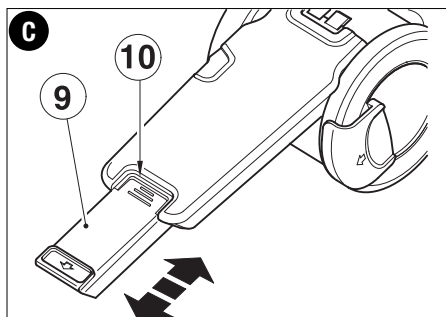
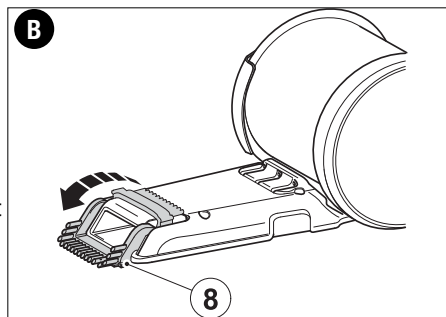
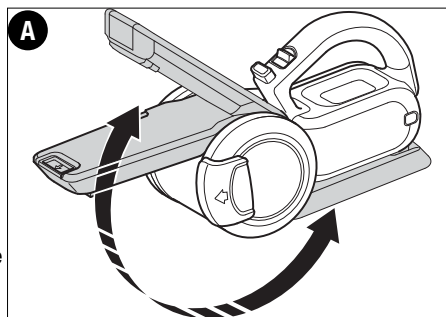


### Assemblage

#### Réglage du dépoussiéreur (fig. A - C)

Le dépoussiéreur (1) comprend une brosse qui se replie vers l'avant pour l'époussetage et le nettoyage des meubles.

- Le dépoussiéreur (1) est rangé sous l'appareil. Pour effectuer un réglage aux fins d'utilisation, soulever l'appareil de la base de charge (7).
- Enfoncer le bouton de déblocage de pivot (3) et tourner le dépoussiéreur (1) à la position requise.
- Relâcher le bouton de déblocage de pivot (3) pour verrouiller le dépoussiéreur en position.
- La portée du dépoussiéreur peut être accrue en tirant sur sa rallonge (9) jusqu'à ce que cette dernière se bloque en position.
- La rallonge peut être rétractée en appuyant sur le bouton (10) et en repoussant la rallonge dans le dépoussiéreur.
- Le dépoussiéreur doit être remis en position de rangement, sous l'appareil, après son utilisation et durant la charge de l'appareil.

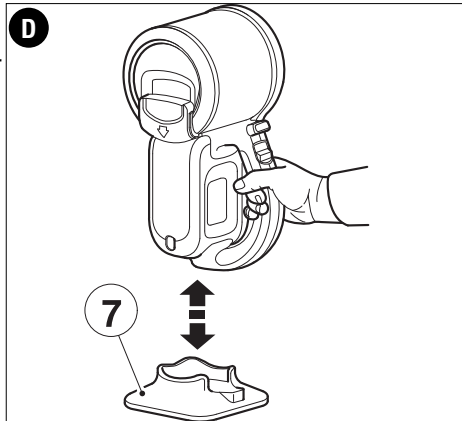


## Utiliser

- Avant la première utilisation, la pile doit être chargée pendant au moins 24 heures.
- Placer l'appareil sur la base de charge quand il n'est pas utilisé.

### CHARGE DE LA PILE (FIG. D)

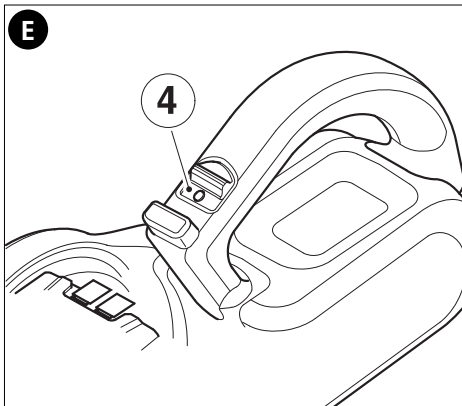
- S'assurer que l'appareil est éteint.
- La pile ne se charge pas si le commutateur marche/arrêt (4) est en position de marche.
- Placer l'appareil sur la base de charge (7) comme illustré.
  - Brancher le chargeur.
- L'indicateur de charge s'allume.
- Laisser l'appareil en charge pendant au moins 24 heures.
- Pendant la charge, le chargeur peut chauffer. Cela est normal et n'indique pas de problème. On peut laisser l'appareil branché indéfiniment au chargeur.
- L'indicateur de charge reste allumé aussi longtemps que l'appareil est relié au chargeur branché.



**⚠ AVERTISSEMENT :** Ne pas charger la batterie à des températures ambiantes inférieures à 4 °C (39 °F) ou supérieures à 40 °C (104 °F).

### Mise en marche et arrêt (fig. E)

- Pour mettre l'appareil en marche, coulisser l'interrupteur marche/arrêt (4) vers l'avant, à la position I.
- Pour arrêter l'appareil, coulisser l'interrupteur marche/arrêt (4) vers l'arrière, à la position 0.



### Optimisation de la force d'aspiration (fig. F - I)

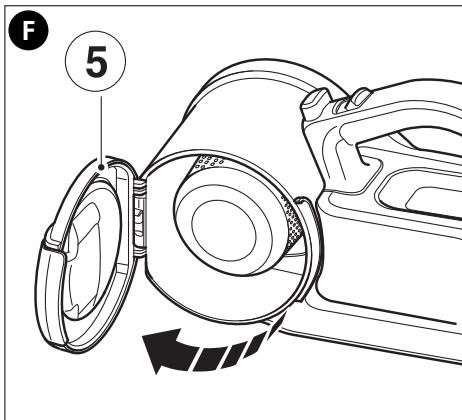
Pour maintenir au maximum la force d'aspiration, il est nécessaire de nettoyer régulièrement les filtres pendant l'utilisation.

- Enfoncer le loquet d'ouverture (6) et ouvrir la trappe du collecteur (5) (fig. F).
- Vider le collecteur de poussière.

### Nettoyage et entretien

Faire pivoter le réservoir (fig. A) secouer le filtre pour enlever la poussière. Il est toutefois important de vider régulièrement le réservoir en retirant les filtres (fig. J).

Mise en garde : Nettoyer régulièrement les filtres (12 et 13).



## Nettoyage du collecteur de poussière et des filtres (fig. G - K)

Il existe deux méthodes de nettoyage du réservoir, à savoir une méthode de vidage rapide et une méthode de nettoyage en profondeur. Pour la méthode de vidage rapide, suivez les directives suivantes.

Les filtres sont réutilisables et doivent être nettoyés régulièrement.

- Enfoncer le loquet d'ouverture (6) et ouvrir la trappe du collecteur (5) (fig. F).
- Vider le collecteur de poussière (11).
- Fermer la trappe du collecteur de poussière (5). S'assurer que le loquet d'ouverture (6) s'enclenche en place.

Le collecteur de poussière (11) est attaché au corps de l'appareil au moyen d'une fixation à baïonnette.

Pour retirer le collecteur de poussière :

- Enfoncer le bouton de dégagement du collecteur de poussière (2) et tourner le collecteur de poussière (11) dans le sens antihoraire, puis le dégager soigneusement de l'appareil.

- Tourner le crochet du filtre (12) à la position verticale (fig. I).

Utiliser le crochet du filtre (12) pour tourner le filtre (13) dans le préfiltre (14) de manière à le secouer pour retirer la saleté.

- Retirer le filtre principal (13).
- Brosser le filtre pour faire tomber la poussière libre (13).

Le préfiltre (14) est attaché au moyen d'une fixation à baïonnette.

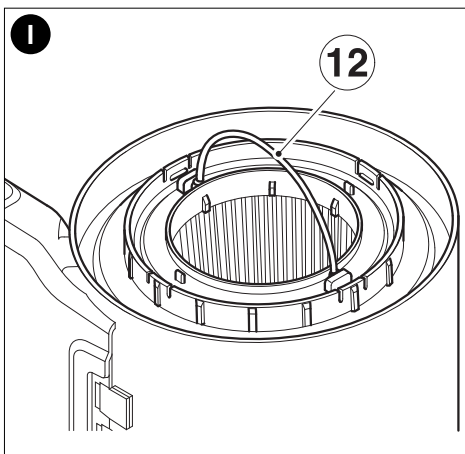
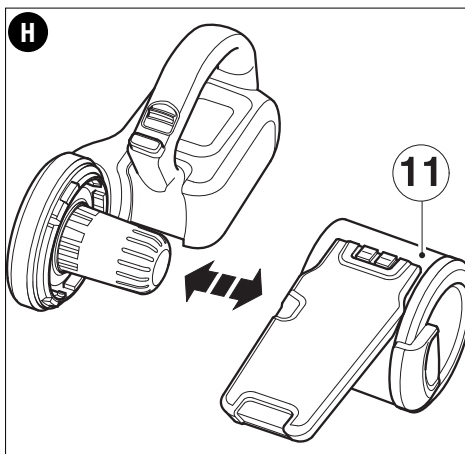
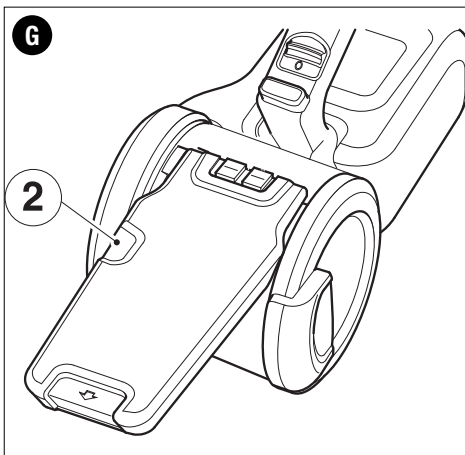
Pour enlever le préfiltre :

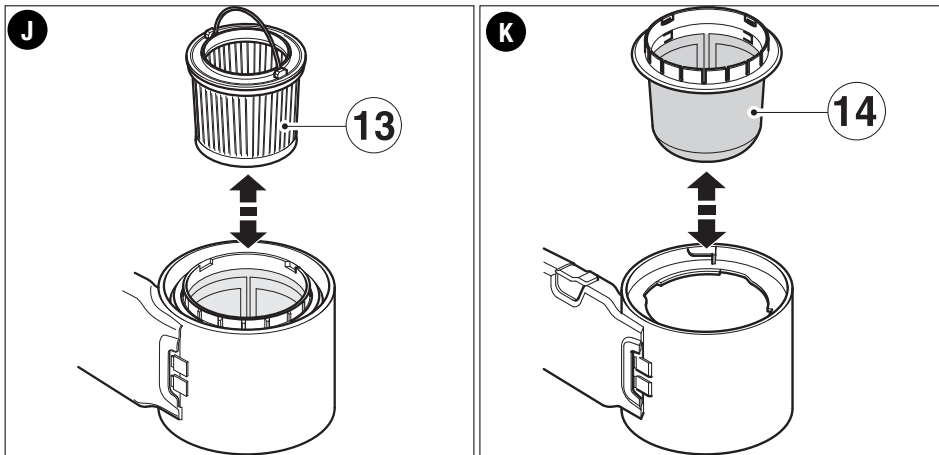
- Tourner le préfiltre (14) dans le sens antihoraire, puis le dégager soigneusement du collecteur de poussière.

- Installer le préfiltre (14) dans le collecteur de poussière (11) en le tournant dans le sens horaire de manière à ce qu'il s'enclenche en place.

- Installer le filtre principal (13) dans le préfiltre (14).

- Installer le collecteur de poussière (11) dans l'appareil, puis le tourner dans le sens horaire de manière à ce qu'il s'enclenche en place.





**⚠ AVERTISSEMENT :** Risques de projection/pour les voies respiratoires : ne jamais utiliser l'appareil sans les filtres. Une aspiration optimale des poussières ne sera obtenue qu'avec des filtres propres.

### Remplacement des filtres

Les filtres doivent être remplacés tous les 6 à 9 mois et chaque fois qu'ils sont usés ou endommagés. Des filtres de rechange sont offerts auprès du détaillant Black & Decker local (n° de cat. VF90) :

- Retirer les anciens filtres selon les indications ci-dessus.
- Installer les filtres neufs selon les indications ci-dessus.

### Entretien

N'utiliser qu'un détergent doux et un chiffon humide pour nettoyer l'outil. Ne jamais laisser de liquide pénétrer dans l'outil et n'immerger aucune partie de l'outil dans un liquide.

**IMPORTANT :** pour garantir la SÉCURITÉ et la FIABILITÉ du produit, les réparations, l'entretien et le réglage (autre que ceux énumérés dans ce mode d'emploi) doivent être réalisés par un centre de réparation autorisé ou tout autre centre de réparation professionnel, utilisant toujours des pièces de rechange identiques.

### Dépannage

#### Problème

- L'appareil refuse de démarrer.
- La pile ne se charge pas.

#### Cause possible

- Pile non chargée.
- Chargeur non branché.
- Température ambiante trop chaude ou trop froide.

#### Solution possible

- Vérifier les exigences de charge pour la pile.
- Brancher le chargeur dans une prise qui fonctionne. Se reporter à « Remarques importantes de chargement » pour plus de renseignements.
- Vérifier le courant à la prise en branchant une lampe ou un autre appareil électrique.
- Vérifier si la prise est reliée à un interrupteur de lumière qui la met hors tension lorsque vous éteignez les lumières.
- Déplacer le chargeur et l'outil à une température ambiante de plus de 4.5 °C (40 °F) ou sous les 40.5 °C (105 °F).

Pour de l'aide avec l'outil, consulter notre site Web [www.blackanddecker.com](http://www.blackanddecker.com) pour l'emplacement du centre de réparation le plus près ou communiquer avec l'assistance BLACK & DECKER au 1-800-544-6986.



## ACCESSOIRES

Les accessoires recommandés pouvant être utilisés avec l'outil sont disponibles auprès de votre distributeur local ou centre de réparation autorisé. Pour tout renseignement concernant les accessoires, composer le : **1-800-544-6986**.

**⚠ AVERTISSEMENT :** l'utilisation de tout accessoire non recommandé avec cet outil pourrait s'avérer dangereuse.

## RETRAIT ET ÉLIMINATION DES PILES

Ce produit utilise des piles nickel-cadmium (Ni-Cd) rechargeables et recyclables. Quand les piles ne tiennent plus la charge, elles doivent être retirées de l'aspirateur et recyclées. Elles ne doivent jamais être incinérées ni compostées. On peut apporter la pile à un centre de réparation Black & Decker ou un centre autorisé. Certains détaillants locaux participent également à un programme national de recyclage. Communiquer avec le détaillant de votre région pour les détails. Le centre de réparation de Black & Decker ou un centre autorisé prendront les dispositions nécessaires pour recycler la pile épuisée si on la rapporte à un tel centre. On peut aussi contacter la municipalité pour obtenir des directives de mise au rebut appropriées selon la ville.

Enlever le bloc-piles pour élimination :

- 1.) D'abord, avant d'essayer de démonter le produit, l'allumer et le laisser allumé jusqu'à ce que le moteur s'arrête complètement, ce qui assure une décharge complète des piles.
- 2.) Vérifier que la buse est tournée en position de rangement.
- 3.) Avec un tournevis à pointe cruciforme, retirer les sept vis fixant les deux moitiés du boîtier.
- 4.) Déposer le couvercle du boîtier de l'ensemble.
- 5.) Retirer la vis unique fixant l'ensemble de moteur (située en bas de l'appareil, près du contenant à poussière.)
- 6.) Soulever l'ensemble de moteur.
- 7.) Retirer les trois vis du couvercle et retirer le couvercle de l'ensemble afin d'exposer les piles.
- 8.) Débrancher les connexions du moteur et séparer le moteur de l'ensemble.
- 9.) Débrancher tous les fils et retirer les piles de leur boîtier.
- 10.) Éliminer les piles conformément aux directives recommandées.

## SCEAU RBRC™

RBRC™ (Société de recyclage des piles rechargeables)

Ce sceau apposé sur la pile au nickel cadmium (ou sur le bloc-piles) indique que les coûts de recyclage de cette pile (ou de ce bloc-piles) à la fin de sa vie utile ont été payés par Black & Decker. Dans certaines régions, il est illégal de jeter les piles au nickel-cadmium dans les poubelles ou dans le système municipal de cueillette des résidus solides. Le programme de la RBRC représente donc une alternative écologique. La RBRC, en collaboration avec Black & Decker et d'autres utilisateurs de piles, a établi aux États-Unis et au Canada des programmes facilitant la cueillette des piles au nickel cadmium déchargées. Aidez-nous à protéger l'environnement et à conserver nos ressources naturelles en retournant les piles au nickel cadmium épuisées à un centre de réparation Black & Decker ou au détaillant de votre région pour qu'elles soient recyclées. Vous pouvez aussi communiquer avec votre centre local de recyclage qui vous fera part du lieu de disposition de vos piles épuisées ou composer le numéro **1-800-8-BATTERY**.



## INFORMATION SUR LES RÉPARATIONS

Tous les centres de réparation Black & Decker sont dotés de personnel qualifié en matière d'outillage électrique; ils sont donc en mesure d'offrir à leur clientèle un service efficace et fiable. Que ce soit pour un avis technique, une réparation ou des pièces de rechange authentiques installées en usine, communiquer avec l'établissement Black & Decker le plus près de chez vous. Pour trouver l'établissement de réparation de votre région, consulter le répertoire des Pages jaunes à la rubrique « Outils électriques » ou composer le numéro suivant : **1-800-544-6986** ou consulter le site **www.blackanddecker.com**

**GARANTIE COMPLÈTE DE DEUX ANS POUR UNE UTILISATION DOMESTIQUE**

Black & Decker (É.-U.) Inc. garantit ce produit pour une durée de deux ans contre tout défaut de matériau ou de fabrication. Le produit défectueux sera remplacé ou réparé sans frais de l'une des deux façons suivantes :

La première façon consiste en un simple échange chez le détaillant qui l'a vendu (pourvu qu'il s'agisse d'un détaillant participant). Tout retour doit se faire durant la période correspondant à la politique d'échange du détaillant (habituellement, de 30 à 90 jours après l'achat). Une preuve d'achat peut être requise. Vérifier auprès du détaillant pour connaître sa politique concernant les retours hors de la période définie pour les échanges.

La deuxième option est d'apporter ou d'envoyer le produit (transport payé d'avance) à un centre de réparation autorisé ou à un centre de réparation de Black & Decker pour faire réparer ou échanger le produit, à notre discrétion. Une preuve d'achat peut être requise. Les centres Black & Decker et les centres de service autorisés sont répertoriés dans les pages jaunes, sous la rubrique « Outils électriques ».

Cette garantie ne s'applique pas aux accessoires. Cette garantie vous accorde des droits légaux spécifiques et vous pourriez avoir d'autres droits qui varient d'un État ou d'une province à l'autre. Pour toute question, communiquer avec le directeur du centre de réparation Black & Decker le plus près de chez vous. Ce produit n'est pas destiné à un usage commercial.

**REMPLACEMENT GRATUIT DES ÉTIQUETTES D'AVERTISSEMENT** : si les étiquettes d'avertissement deviennent illisibles ou sont manquantes, composer le **1-800-544-6986** pour en obtenir le remplacement gratuit.

Imported by / Importé par  
Black & Decker Canada Inc.  
100 Central Ave.  
Brockville (Ontario) K6V 5W6

**Voir la rubrique "Outils électriques"  
des Pages Jaunes  
pour le service et les ventes.**

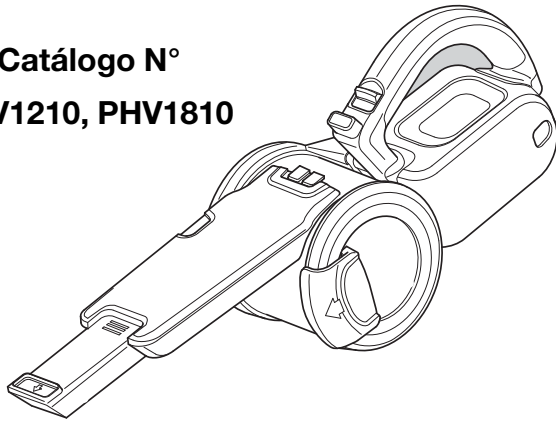




## ASPIRADORA DE MANO INALÁMBRICA DE 18 VOLTIOS

# MANUAL DE INSTRUCCIONES

Catálogo N°  
PHV1210, PHV1810



**Gracias por elegir Black & Decker!**  
**Visite [www.BlackandDecker.com/NewOwner](http://www.BlackandDecker.com/NewOwner)**  
**para registrar su nuevo producto.**

### **LEA EL MANUAL ANTES DE DEVOLVER ESTE PRODUCTO POR CUALQUIER MOTIVO:**

Si tiene una consulta o algún inconveniente con su producto Black & Decker, visite  
**[HTTP://WWW.BLACKANDDECKER.COM/INSTANTANSWERS](http://www.blackanddecker.com/instantanswers)**

para obtener respuestas instantáneas las 24 horas del día.

Si no encuentra la respuesta o no tiene acceso a Internet, llame al 1-800-544-6986 de  
lunes a viernes de 8 a.m. a 5 p.m. hora del Este para hablar con un agente.

Cuando llame, tenga a mano el número de catálogo.

**Para comprar un filtro de repuesto  
llame al 1-888-678-7278.**

**CONSERVE ESTE MANUAL PARA FUTURAS CONSULTAS.  
SÓLO PARA USO DOMÉSTICO.**

## MEDIDAS DE SEGURIDAD IMPORTANTES

Cuando se usen aparatos eléctricos, deben tomarse ciertas precauciones básicas de seguridad, entre las que se incluyen las siguientes:

**POR FAVOR LEA Y COMPRENDA TODAS LAS INSTRUCCIONES ANTES DE OPERAR LA UNIDAD.**

### PAUTAS DE SEGURIDAD/DEFINICIONES

Es importante que lea y comprenda este manual. La información que contiene se relaciona con la protección de SU SEGURIDAD y la PREVENCIÓN DE PROBLEMAS. Los símbolos que siguen se utilizan para ayudarlo a reconocer esta información.

**⚠ PELIGRO:** indica una situación de peligro inminente que, si no se evita, provocará la muerte o lesiones graves.

**⚠ ADVERTENCIA:** indica una situación de peligro potencial que, si no se evita, provocará la muerte o lesiones graves.

**⚠ PRECAUCIÓN:** indica una situación de peligro potencial que, si no se evita, provocará lesiones leves o moderadas.

**PRECAUCIÓN:** utilizado sin el símbolo de alerta de seguridad indica una situación de peligro potencial que, si no se evita, puede provocar daños en la propiedad.

**⚠ ADVERTENCIA:** Ciertas partículas de polvo doméstico contienen químicos, como el asbesto y la pintura a base de plomo, reconocidos por el estado de California como causantes de cáncer, defectos congénitos u otros problemas reproductivos.

**⚠ ADVERTENCIA:** Para reducir el riesgo de incendio, choque eléctrico y (o) lesiones:

- Debe supervisar detenidamente el uso de cualquier aparato por parte de niños o cerca de ellos. No permita que se utilice como juguete.
- Riesgo de descarga eléctrica Para evitar el riesgo de descarga eléctrica, no sumerja la unidad o la base cargadora en el agua o cualquier otro líquido.
- No utilice las aspiradoras de mano para seco con el fin de recoger líquidos, sustancias tóxicas, líquidos inflamables o combustibles como gasolina, ni las use en áreas en las que estas sustancias puedan estar presentes.
- No utilice las aspiradoras de mano para seco/húmedo con el fin de recoger sustancias tóxicas, líquidos inflamables o combustibles como gasolina, ni las use en áreas en las que estas sustancias puedan estar presentes.
- No la opere en presencia de vapores o líquidos explosivos o inflamables.
- Riesgo de descarga eléctrica No opere aparatos que posean un cable o cargador dañados, o después de un mal funcionamiento, aparatos que se dejan a la intemperie, se dejaron caer en el agua o que están dañados de alguna forma. Devuelva el aparato a cualquier instalación de mantenimiento autorizada.
- No utilice las aspiradoras de mano para seco a la intemperie o en superficies húmedas.
- No maltrate el cable. Nunca transporte el cargador o la base por el cable ni lo jale para desconectarlos de un tomacorriente; en cambio, tome el cargador y tire para desconectarlo. Mantenga el cable alejado de superficies calientes. No tire del cable cerca de bordes o esquinas afilados.
- No permita que el cable cuelgue sobre el borde de una mesa o mostrador, o toque superficies calientes. La unidad debe colocarse o montarse lejos de fregaderos y superficies calientes.
- No utilice un cable prolongador. Enchufe el cargador directamente en un tomacorriente.
- Utilice el cargador solamente en un tomacorriente estándar (120V/60Hz).
- No intente utilizar el cargador con cualquier otro producto; no intente cargar este producto con ningún otro cargador. Para realizar una recarga utilice sólo el cargador provisto por el fabricante.


- Mantenga el cabello, las ropas holgadas y todas las partes del cuerpo alejados de los orificios y de las piezas en movimiento.
- No inserte ningún accesorio mientras la unidad esté en funcionamiento.
- Riesgo de descarga eléctrica No toque el enchufe ni el aparato con las manos mojadas.
- No coloque objetos en los orificios de la unidad. No use la unidad con orificios bloqueados, manténgalos libres de polvo, pelusas, pelos y cualquier objeto que pueda reducir el flujo de aire.
- Riesgo de incendio. No utilice la aspiradora sobre materiales encendidos o humeantes como colillas de cigarrillos encendidas, fósforos o cenizas calientes.
- No utilice en o cerca de superficies calientes.
- Tenga especial precaución al limpiar las escaleras.
- Este aparato está diseñado para uso doméstico solamente y no para uso comercial o industrial.
- Úsela solamente de la manera que se describe en este manual. Utilice únicamente accesorios recomendados por el fabricante.
- Desconecte el cargador del tomacorriente antes de realizar una limpieza o mantenimiento de rutina.
- Este producto incluye baterías recargables de níquel-cadmio. No incinere las baterías porque explotan a temperaturas altas.
- Se pueden producir pérdidas de las celdas de la batería en condiciones extremas. Si el líquido, que es una solución de hidróxido de potasio del 20% al 35%, entra en contacto con la piel (1) lave rápidamente con agua y jabón o (2) neutralice con un ácido suave como jugo de limón o vinagre. Si el líquido de la batería entra en contacto con los ojos, lávelos con agua limpia durante al menos 10 minutos. Busque atención médica.
- No mire por los orificios de ventilación mientras la unidad está encendida, ya que a veces pueden expulsar pequeños desechos. Esto se debe tener en cuenta sobre todo después de la limpieza o el reemplazo de los filtros, porque se pueden remover los desechos dentro de la unidad.

## CONSERVE ESTE MANUAL


### SÍMBOLOS

- La etiqueta de su herramienta puede incluir los siguientes símbolos. Los símbolos y sus definiciones son los siguientes:

V .....voltios                                      A .....amperios  
 Hz .....hertz                                        W .....vatios  
 min .....minutos                                    ~ .....corriente alterna  
 == = .....corriente continua                    no .....no velocidad sin carga

 .....Construcción Clase I  
 (con conexión a tierra)

 .....Construcción de clase II  ..... terminal a tierra

 .....símbolo de alerta de seguridad                    ./min rpm..revoluciones o reciprocidad por minuto

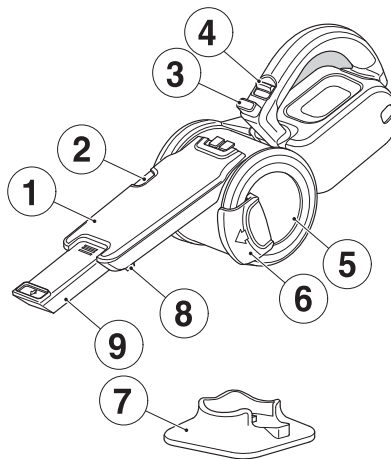
Cuando use un alargador, asegúrese de usar uno de un calibre suficiente como para cargar con la corriente que requerirá su producto. Un alargador de menor calibre causará una caída en el voltaje de la línea lo que resultará en pérdida de potencia y sobrecalentamiento. El siguiente cuadro muestra el tamaño correcto a utilizar, dependiendo del largo del cable y el amperaje nominal. En caso de duda, utilice el de mayor calibre.

Volts	Calibre mínimo para cables de extensión				
	Longitud total del cable en pies				
120V	0-25	26-50	51-100	101-150	
	(0-7,6m)	(7,6-15,2m)	(15,2-30,4m)	(30,4-45,7m)	
240V	0-50	51-100	101-200	201-300	
	(0-15,2m)	(15,2-30,4m)	(30,4-60,9m)	(60,9-91,4m)	
Amperaje	Más de		No más de		American Wire Gauge
	0	6	18	16	
6	-	10	18	16	16      14
10	-	12	16	16	14      12
12	-	16	14	12	No se recomienda

Mientras menor el número del calibre, mayor la capacidad del cable.

## Características del producto

1. Recolector de polvo
2. Botón de liberación del depósito de polvo
3. Botón de bloqueo de rotación
4. Interruptor de encendido/apagado
5. Tapa del depósito
6. Cerrojo de liberación para la tapa del depósito
7. Base cargadora
8. Cepillo desplegable
9. Extensión del recolector de polvo

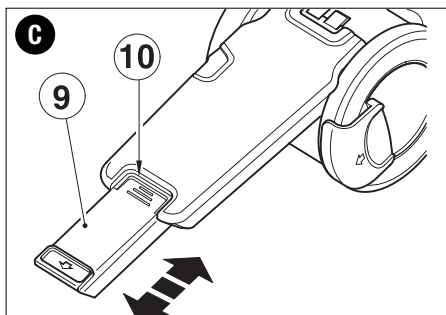
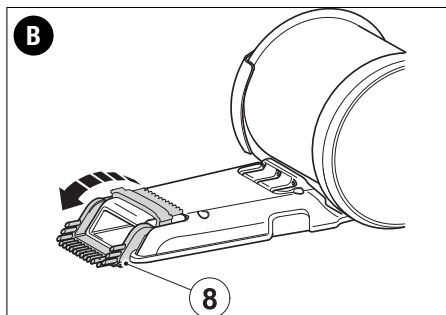
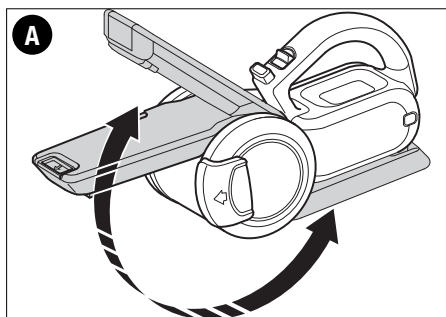


### Ensamblaje

#### Ajuste del recolector de polvo (Fig. A - C)

El recolector de polvo (1) tiene un cepillo que se puede desplegar hacia adelante para limpieza del polvo y de tapizados.

- El recolector de polvo (1) se guarda bajo el aparato. Para ajustarlo para el uso, levante el aparato de la base cargadora (7).
- Presione el botón de bloqueo de rotación (3) y gire el recolector de polvo (1) a la posición requerida.
- Libere el botón de bloqueo de rotación (3) para bloquear el recolector de polvo en su posición.
- El recolector de polvo se puede extender tirando de la extensión del recolector de polvo (9) hasta que se bloquee en su lugar.
- La extensión se puede retraer presionando el botón (10) y empujando la extensión de vuelta al interior del recolector de polvo.
- Luego del uso y durante la carga del aparato, el recolector de polvo debe devolverse a la posición de almacenamiento bajo el aparato.



## Uso

- Antes del primer uso, cargue la batería por lo menos durante 24 horas.
- Coloque el aparato en la base cargadora cuando no esté en uso.

### CARGA DE LA BATERÍA (FIG. D)

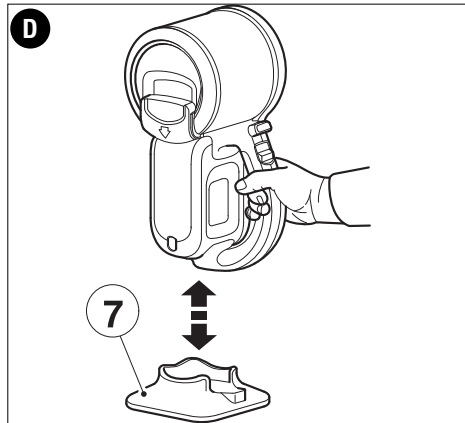
- Asegúrese de que el aparato esté apagado. La batería no se cargará si el interruptor de encendido/apagado (4) está en la posición de encendido.
- Coloque el aparato en la base cargadora (7) como se muestra.
- Enchufe el cargador.

Se encenderá el indicador de carga.

- Deje que el aparato cargue por lo menos durante 24 horas.

Durante la carga, el cargador puede calentarse. Esto es normal y no indica un problema.

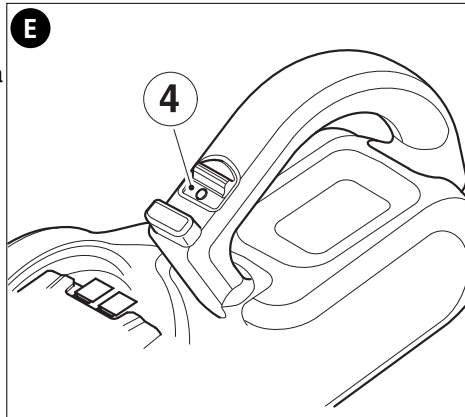
El aparato se puede dejar conectado al cargador indefinidamente. El indicador de carga permanecerá encendido mientras el aparato esté conectado al cargador enchufado.



**⚠ ADVERTENCIA:** No cargue la batería a temperaturas ambientes inferiores a 4 °C (39°F) o superiores a 40°C (104°F).

### Encendido y apagado (fig. E)

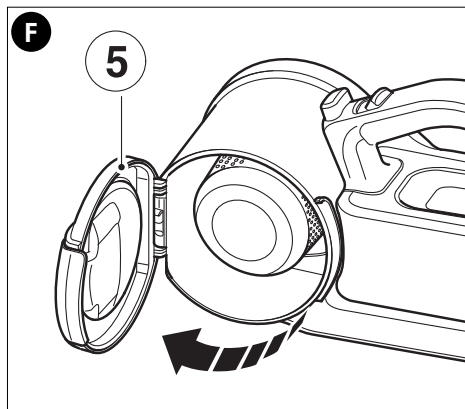
- Para encender el aparato, deslice el interruptor de encendido/apagado (4) hacia adelante a la posición I.
- Para apagar el aparato, deslice el interruptor de encendido/apagado (4) de vuelta a la posición 0.



### Optimización de la fuerza de succión (Fig. F - I)

Para mantener la fuerza de succión optimizada, se deben despejar los filtros periódicamente durante el uso.

- Presione el cerrojo de liberación (6) y abra la tapa del depósito (5) (Fig. F).
- Vacíe el depósito de polvo.



## Limpeza y mantenimiento

La rotación del recipiente (Fig. A) agita el filtro para quitar la suciedad. Sin embargo, es importante vaciar periódicamente el recipiente mediante el retiro de los filtros (Fig. J).

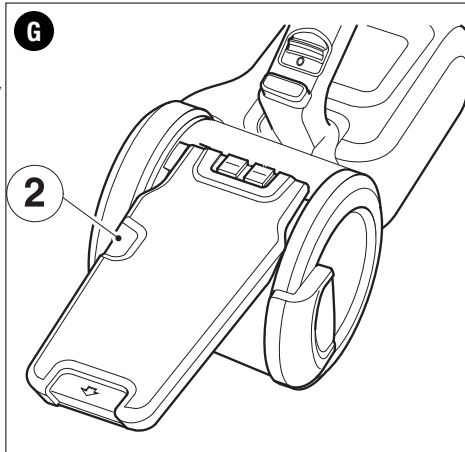
Atención: Limpie periódicamente los filtros 12 y 13).

### Limpeza del depósito de polvo y los filtros (fig. G - K)

Existen dos métodos de limpieza del recipiente, un método rápido de vaciado y un método profundo de limpieza. Para el método rápido de limpieza siga las instrucciones a continuación.

Los filtros son reutilizables y deben limpiarse periódicamente.

- Presione el cerrojo de liberación (6) y abra la tapa del depósito (5) (Fig. F).
- Vacíe el depósito de polvo (11).
- Cierre la tapa del depósito de polvo (5). Asegúrese de que el cerrojo de liberación (6) produzca un sonido seco y quede firme en su lugar.



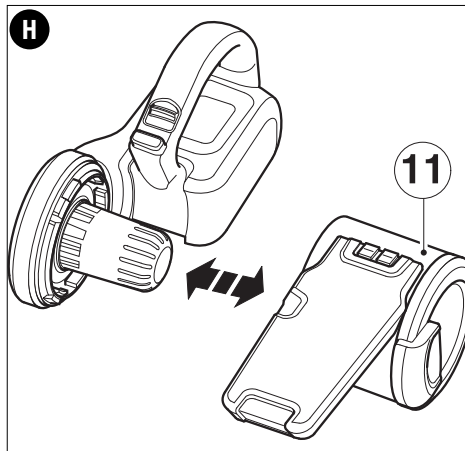
El depósito de polvo (11) se conecta al cuerpo del aparato con una fijación de bayoneta.

Para retirar el depósito de polvo:

- Presione el botón de liberación del depósito de polvo (2), gire el depósito de polvo (11) hacia la izquierda y deslícelo cuidadosamente separándolo del aparato.
- Gire el gancho del filtro (12) a la posición vertical (Fig. I).

Utilice el gancho del filtro (12) para girar el filtro (13) dentro del prefiltro (14) para agitarlo y quitar la suciedad.

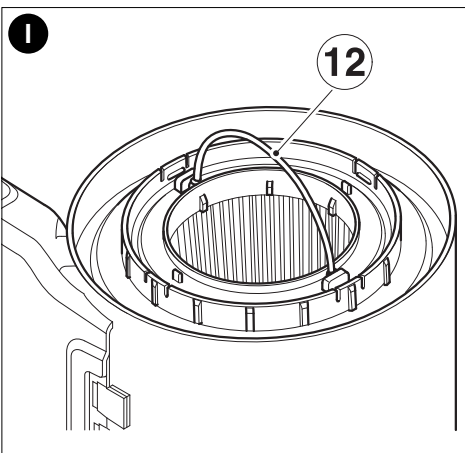
- Retire el filtro principal (13).
- Cepille el filtro para quitar el polvo restante (13).



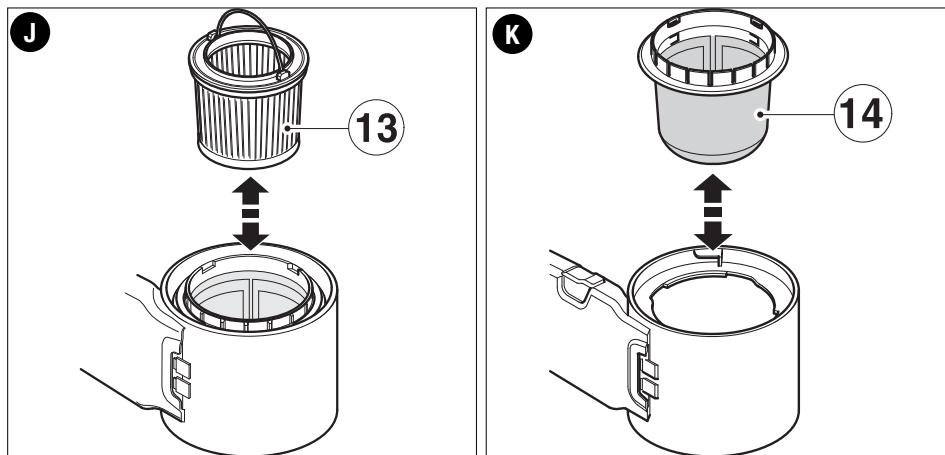
El prefiltro (14) se conecta con una fijación de bayoneta.

Para retirar el prefiltro:

- Gire el prefiltro (14) hacia la izquierda y deslícelo cuidadosamente para separarlo del depósito de polvo.
- Instale el prefiltro (14) en el depósito de polvo (11) girándolo hacia la derecha hasta que se bloquee en su lugar.
- Instale el filtro principal (13) en el prefiltro (14).
- Instale el depósito de polvo (11) en el aparato, girándolo hacia la derecha hasta que se bloquee en su lugar.







**⚠ ADVERTENCIA:** Peligro de eyección/respiratorio: Nunca utilice el aparato sin los filtros. Sólo se logrará una recolección de polvo óptima con filtros limpios.

**Reemplazo de los filtros**

Los filtros se deben reemplazar cada 6 a 9 meses y cuando estén gastados o dañados. Los filtros de repuesto pueden encontrarse en su distribuidor Black & Decker (Nº. cat. VF90):

- Retire los filtros viejos como se describió anteriormente.
- Coloque los filtros nuevos como se describió anteriormente.

**MANTENIMIENTO**

Para limpiar la herramienta, sólo utilice jabón suave y un paño húmedo. Nunca permita que penetre líquido dentro de la herramienta ni sumerja ninguna de las piezas en un líquido.

**¡IMPORTANTE:** Para garantizar la SEGURIDAD y la CONFIABILIDAD del producto, las reparaciones, el mantenimiento y los ajustes (los que no estén enumerados en este manual) deben ser realizados por los centros de mantenimiento autorizados u otro personal de mantenimiento calificado, y siempre deben utilizarse piezas de repuesto idénticas.

**Detección de problemas**

**Problema**

- La unidad no enciende.
- La batería no carga.

**Causa posible**

- La batería no carga.
- El cargador no está enchufado.

**Solución posible**

- Verifique los requisitos de carga de la batería.
  - Enchufe el cargador en un tomacorriente que funcione.
- Para conocer más detalles, consulte "Notas importantes sobre la carga".
- Compruebe la corriente en el tomacorriente enchufando una lámpara u otro aparato.
  - Verifique si el tomacorriente está conectado a un interruptor que corta la energía cuando usted apaga la luz.
  - Mueva el cargador y la herramienta a un ambiente con una temperatura superior a 4.5 °C (40 °F) o inferior a 40.5 °C (105 °F).

- Temperatura ambiental demasiado caliente o demasiado fría.

**Solamente para Propósitos de México**

Para conocer la ubicación del centro de servicio más cercano a fin de recibir ayuda con su producto, visite nuestro sitio Web [www.blackanddecker.com.mx](http://www.blackanddecker.com.mx) o llame a la línea de ayuda BLACK & DECKER al **01 800 847 2309/01 800 847 2312**.

**ACCESORIOS**

Los accesorios que se recomiendan para la herramienta están disponibles en su distribuidor local o en el centro de mantenimiento autorizado. Si necesita asistencia en relación con los accesorios, por favor llame al: **1-800-544-6986**

**⚠ ADVERTENCIA:** El uso de accesorios no recomendados para utilizar con esta herramienta puede resultar peligroso.

**REMOCIÓN Y ELIMINACIÓN DE LA BATERÍA**

Este producto utiliza baterías de níquel-cadmio (Ni-Cd) recargables y reciclables. Cuando las baterías ya no mantengan la carga, es necesario retirarlas de la aspiradora y reciclarlas. No se deben incinerar ni someter a un proceso de compostaje.

Para eliminar la batería, puede llevarla a un Centro de mantenimiento Black & Decker propio o autorizado. Algunos comercios minoristas locales participan de un programa nacional de reciclado (ver "Sello RBRC™"). Llame a su comercio minorista local para obtener más información. Si trae las baterías a un Centro de mantenimiento Black & Decker propio o autorizado, el Centro se ocupará de reciclarlas. O bien, consulte en la municipalidad de su localidad para conocer las instrucciones de desecho adecuadas de su ciudad o localidad.

Remoción y desecho de baterías:

- 1.) Primero, antes de intentar desarmar el producto, enciéndalo y póngalo en funcionamiento hasta que el motor se haya detenido completamente, asegurándose de que las baterías se descarguen completamente.
- 2.) Asegúrese de que la boquilla esté fuera de la posición de almacenamiento.
- 3.) Con un destornillador Phillips, retire los siete tornillos que fijan las dos mitades de la caja.
- 4.) Levante la cubierta de la batería del montaje.
- 5.) Retire el único tornillo que asegura el montaje del motor. (ubicado en la parte inferior de la unidad, adyacente al depósito).
- 6.) Levante y retire el montaje del motor.
- 7.) Retire los tres tornillos en la cubierta, levántela y retírela del montaje, exponiendo así las baterías.
- 8.) Retire las conexiones del motor y quítelo del ensamblaje.
- 9.) Retire todas las conexiones de los conductores y quite las baterías de la cubierta.
- 10.) Deseche las baterías según las pautas recomendadas.

**EL SELLO RBRC™**

El sello RBRC™ (Corporación de reciclado de baterías recargables) que se encuentra sobre la batería de níquel-cadmio (o paquete de batería) indica que los costos para reciclar la batería (o el paquete de batería) al final de su vida útil ya han sido pagados por Black & Decker. En algunas zonas, es ilegal tirar las baterías usadas de níquel-cadmio en la basura o en el flujo de desechos sólidos del municipio. El programa RBRC proporciona una alternativa de conciencia sobre el cuidado del medio ambiente.

RBRC en cooperación con Black & Decker y otros usuarios de baterías, estableció programas en los Estados Unidos y Canadá para facilitar la recolección de baterías de níquel-cadmio ya usadas. Ayude a proteger nuestro medio ambiente y a conservar los recursos naturales devolviendo las baterías de níquel-cadmio ya usadas a un centro de mantenimiento autorizado Black & Decker o a un comerciante minorista para que sean recicladas. También puede comunicarse con el centro de reciclado para obtener información o dónde dejar las baterías, o llame al **1-800-8-BATTERY**.

**INFORMACIÓN DE MANTENIMIENTO**

Todos los Centros de servicio de Black & Decker cuentan con personal altamente capacitado dispuesto a brindar a todos los clientes un servicio eficiente y confiable en la reparación de herramientas eléctricas. Si necesita consejo técnico, reparaciones o piezas de repuesto originales de fábrica, póngase en contacto con el centro de servicio de Black

& Decker más cercano a su domicilio. Para ubicar su centro de servicio local, consulte la sección "Herramientas eléctricas" (Tools-Electric) de las páginas amarillas, llame al **1-800-544-6986** o visite nuestro sitio **www.blackanddecker.com**.

#### **GARANTÍA COMPLETA DE DOS AÑOS PARA USO EN EL HOGAR**

Black & Decker (Estados Unidos) Inc. ofrece una garantía de dos años por cualquier defecto del material o de fabricación de este producto. El producto defectuoso se reparará o reemplazará sin costo alguno de dos maneras.

La primera opción, el reemplazo, es devolver el producto al comercio donde se adquirió (siempre y cuando se trate de un comercio participante). Las devoluciones deben realizarse conforme a la política de devolución del comercio (generalmente, entre 30 y 90 días posteriores a la venta). Le pueden solicitar comprobante de compra. Consulte en el comercio acerca de la política especial sobre devoluciones una vez excedido el plazo establecido.

La segunda opción es llevar o enviar el producto (con flete pago) a un Centro de servicio propio o autorizado de Black & Decker para su reparación o reemplazo según nuestro criterio. Le pueden solicitar el comprobante de compra. Los Centros de servicio autorizados y de propiedad de Black & Decker se detallan en la sección

"Herramientas eléctricas" (Tools-Electric) de las páginas amarillas de la guía telefónica.

Esta garantía no se extiende a los accesorios. Esta garantía le concede derechos legales específicos; usted puede tener otros derechos que pueden variar según el estado o la provincia. Si tiene alguna pregunta, comuníquese con el gerente del Centro de servicio de Black & Decker de su zona. Este producto no está diseñado para uso comercial.

**AMÉRICA LATINA:** esta garantía no se aplica a los productos que se venden en América Latina. Para los productos que se venden en América Latina, debe consultar la información de la garantía específica del país que viene en el empaque, llamar a la compañía local o visitar el sitio Web a fin de obtener esa información.

#### **• GARANTÍA BLACK & DECKER • BLACK & DECKER WARRANTY • SOLAMENTE PARA PROPOSITOS DE MEXICO**

Distributor Name · *Sello firma del distribuidor*

Date of purchase · *Fecha de compra*

Invoice No. · *No. de factura*

#### **PRODUCT INFORMATION · IDENTIFICACIÓN DEL PRODUCTO**

Cat. No. · *Catalogo ó Modelo*

Serial Number · *No. de serie*

Name · *Nombre*

Last Name · *Apellido*

Address · *Dirección*

City · *Ciudad*

State · *Estado*

Postal Code · *Código Postal*

Country · *País*

Telephone · *No. Teléfono*

**2 AÑOS DE GARANTIA**

Este producto cuenta con dos años de garantía a partir de la fecha de compra contra cualquier defecto de su funcionamiento, así como cualquier falla debido a materiales empleados para su fabricación o mano de obra defectuosa.

Nuestra garantía incluye la reparación o reposición del producto y/o componentes sin cargo alguno para el cliente incluyendo la mano de obra, esta incluye los gastos de trasporte erogados para lograr cumplimiento de esta garantía en los domicilios diversos señalados.

Para hacer efectiva esta garantía deberá presentar su herramienta y esta póliza sellada por el establecimiento comercial donde se adquirió el producto. Nos comprometemos a entregar el producto en un lapso no mayor a 30 días hábiles contados a partir de la fecha de recepción del mismo en nuestros talleres de servicio autorizados.

**ESTA GARANTIA NO APLICA CUANDO:**

- El producto se hubiese utilizado en condiciones distintas a las normales.
- El producto no hubiese sido operado de acuerdo con el instructivo de uso que se acompaña.
- El producto hubiese sido alterado o reparado por personas no autorizadas por nosotros.

Importador: Black & Decker S.A. de C.V.  
 Bosque de Cidros Acceso Radiatas No.42  
 3ra. Sección de Bosques de las lomas  
 C.P.05120, Mexico, D.F.  
 Tel: (01 55) 5326 7100

**ESPECIFICACIONES**

Cargador: 100 - 200V ~ 50/60 Hz 0,1A  
 Salida: 7,2 - 24V DC @ 85mA

**SOLAMENTE PARA PROPOSITOS DE MEXICO**

**Grupo Realsa en herramientas,  
 S.A. de C.V.**

Súper Manzana 69 MZ.01 Lote 30  
 (Av. Torcasita)  
 Col. Puerto Juárez  
 Cancún, Quintana Roo  
 Tel. 01 998 884 72 27

**Ferre Pat de Puebla, S.A. de C.V.**

16 de Septiembre No. 6149  
 Col. El Cerrito  
 Puebla, Puebla, Tel. 01 222 264 12 12

**Ferre Pat de Puebla, S.A. de C.V.**

Ejército Mexicano No. 15  
 Col. Ejido 1ro. de Mayo  
 Boca del Río, Veracruz  
 Tel. 01 229 167 89 89

**Servicio de Fabrica Black & Decker,  
 S.A. de C.V.**

Lázaro Cardenas No. 18  
 Col. Obrera  
 Distrito Federal, Tel. 55 88 95 02

**Representaciones Industriales**

**Robles, S.A. de C.V.**  
 Tezozomoc No. 89  
 Col. La Preciosa  
 Distrito Federal, Tel. 55 61 86 82

**Gpo. Comercial de Htas. y  
 Refacciones de Occidente, S.A. de C.V.**

Av. La Paz No. 1779  
 Col. Americana, S. Juárez  
 Guadalajara, Jalisco  
 Tel. 01 33 38 25 69 78

**Herramientas y Equipos Profesionales**

Av. Colón 2915 Ote.  
 Col. Francisco I. Madero  
 Monterrey, Nvo. León  
 Tel. 01 81 83 54 60 06

**Htas. Portátiles de Chihuahua,  
 S.A. de C.V.**

Av. Universidad No. 2903  
 Col. Fracc. Universidad  
 Chihuahua, Chihuahua  
 Tel. 01 614 413 64 04

**Fernando González Armenta**

Bolívia No. 605  
 Col. Felipe Carrillo Puerto  
 Cd. Madero, Tampico  
 Tel. 01 833 221 34 50

**Perfiles y Herramientas de Morelia**

Gertrudis Bocanegra No. 898  
 Col. Ventura Puente  
 Morelia, Michoacán  
 Tel. 01 443 313 85 50

**Enrique Robles**

Av. de la Solidaridad No. 12713  
 Col. La Pradera  
 Irapuato, Guanajuato  
 Tel. 01 462 626 67 39

**Hernández Martínez Jeanette**

Prolongación Corregidora Nte. No. 1104  
 Col. Arboledas  
 Queretaro, Qro.  
 Tel. 01 442 245 25 80

**PARA OTRAS LOCALIDADES LLAME AL 01 800 847 2309 o 01 800 847 2312.**

**Vea "Herramientas  
 eléctricas (Tools-Electric)"  
 - Páginas amarillas -  
 para Servicio y ventas**



**BLACK & DECKER S.A. DE C.V.  
 BOSQUES DE CIDROS ACCESO RADIATAS NO. 42  
 COL. BOSQUES DE LAS LOMAS.  
 05120 MÉXICO, D.F.  
 TEL. (01 55) 5326 7100  
 01 800 847 2309/01 800 847 2312**

Catalog Nos. PHV1210, PHV1810  
 Copyright © 2009 Black & Decker

PRINTED IN CHINA  
 FORM NO. 90556213 OCT. '09